

# V TYPE DSL SYSTEM

V TYPE DSL BUS BARS ARE USED FOR HEAVY POWER TRANSMISSION  
GENERALLY USED FOR EOT CRANES & TRACK GUIDED MOBILE MACHINERY.

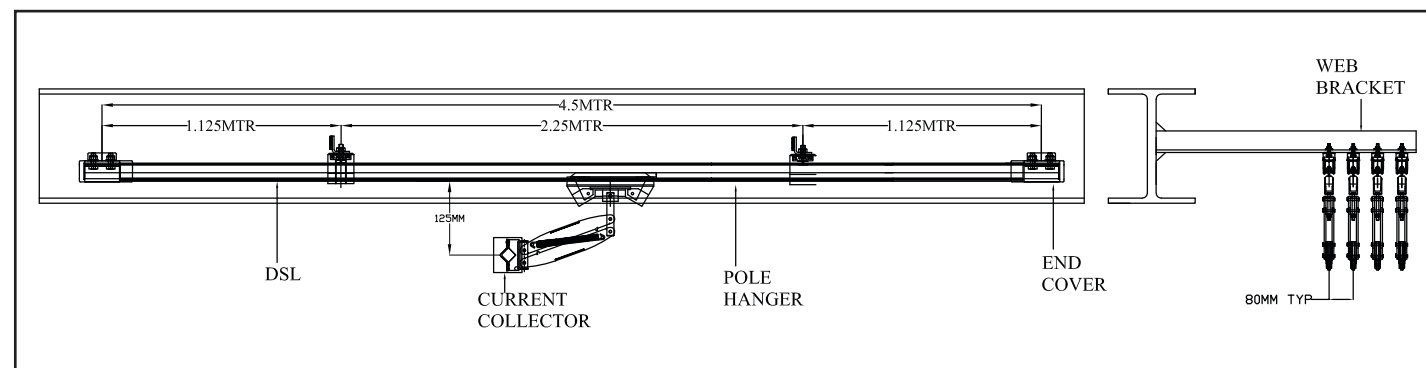
### Features:

- Excellent conductor to supply electrical power, you can save power consumption 15-20% as against angle iron DSL.
- Insulated conductor are touch proof, no exposed live parts to human contact.
- Track configuration straight or curved.
- Quick and easy installation.
- Canopy can be provided to outdoor application, it can be designed to provide shed from water & dust.
- Suitable for indoor & out door installation.

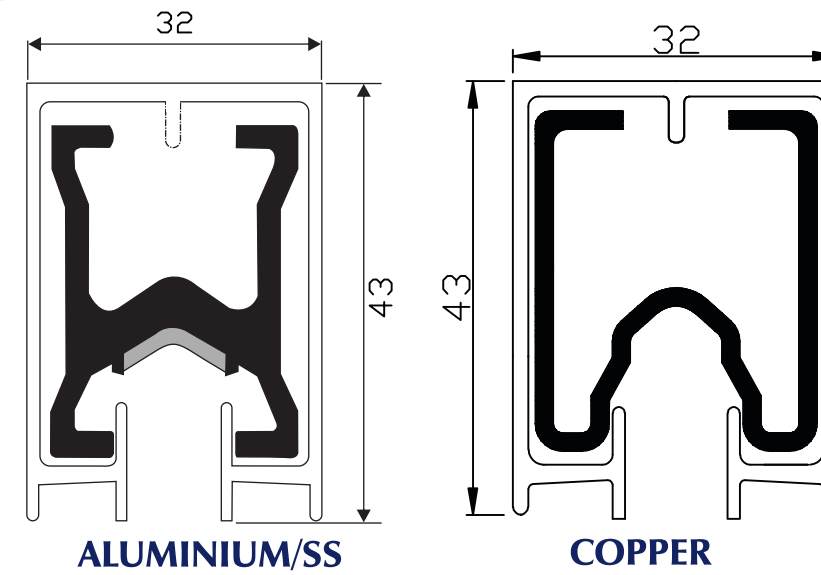
### Available Range:

- 500, 800, 1000, 1250, 2000 Amps. Copper, Aluminium
- Bolt Type Conductor Bar Length 4.5 Mtr.

### GENERAL ARRANGEMENT OF V TYPE DSL SYSTEM



# V TYPE DSL SYSTEM



ALUMINIUM/SS	COPPER
800 amp	500 amp
1000 amp	800 amp
1250 amp	1000 amp
-	1250 amp
-	2000 amp



### TECHNICAL DATA FOR V TYPE HEAVY CONDUCTOR BAR SYSTEM

Conductor Bar System	Copper					Aluminium/SS		
	CRD20C10CG	CRD20D10CG	CRD20E17CG	CRD20F18CG	CRD20G20CG	CRD18C	CRD18E	CRD18F
Type								
"Nominal Current (A) At 100% Duty and 35° C"	500	800	1000	1250	2000	800 amp	1000 amp	1250 amp
DC resistance (O/M) At + 35° C	0.000104	0.000057	0.000033	0.000022	0.000011	0.000074	0.000051	0.000028
"Impedance (O/M) At 80 mm bar spacing And + 35° C"	0.000161	0.000136	0.000127	0.000094	0.000061	0.000144	0.000137	0.000099
Voltage Grade [V]	600							
Support Spacing [mm]	2250							
Bar Length [mm]	4500							
Outside Dimensions [mm]	43 x 32							
Permissible Ambient Temperature	-30° C + 55° C (Standard Insulation) -30° C + 90° C (High Temperature Insulation)							